



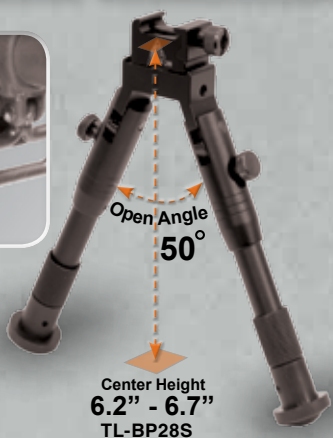
UTG UNIVERSAL SHOOTER'S BIPODS

PICATINNY & SWIVEL STUD MOUNT



Panning

RUBBER FOOT PADS

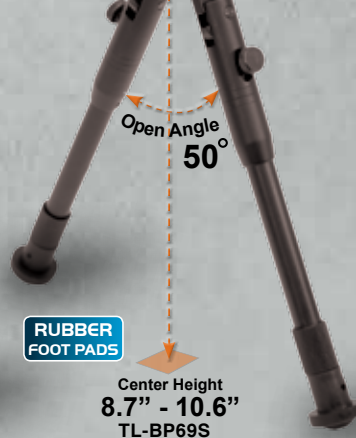


Center Height
6.2" - 6.7"
TL-BP28S



STEEL FOOT PADS

Center Height
5.5" - 6.8"
TL-BP28ST



RUBBER FOOT PADS

Center Height
8.7" - 10.6"
TL-BP69S



STEEL FOOT PADS

Center Height
8.2" - 10.3"
TL-BP69ST

2 IN 1

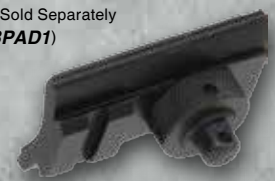


SWIVEL STUD MOUNT



PICATINNY MOUNT

Swivel Stud Kit Included
(Also Sold Separately
TL-BPAD1)



UTG DRAGON CLAW BIPOD

SPRING-CONTROLLED & ADJUSTABLE BARREL CLAMP



Spring Tension Quick Release Barrel Clamp



Adjustable Wheel

Fits Barrel Size From
0.43 to 0.75 Inches
(11mm to 19mm)

RUBBER FOOT PADS



Center Height
6.2" - 6.7"
TL-BP18S

RUBBER FOOT PADS



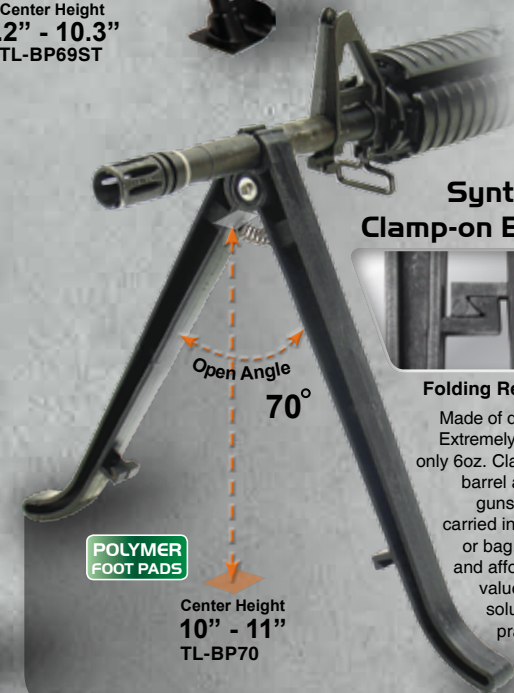
Center Height
9" - 11"
TL-BP08S

STEEL FOOT PADS



Center Height
9" - 11"
TL-BP08ST

POLYMER FOOT PADS



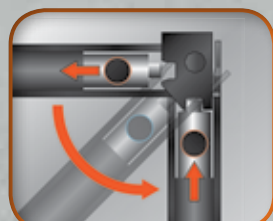
Center Height
10" - 11"
TL-BP70

Synthetic Clamp-on Bipod

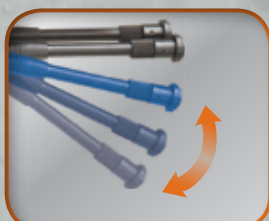


Folding Retention

Made of durable Zytel. Extremely light weight, only 6oz. Clamps around barrel and fits most guns. Folds to be carried in your pocket or bag. Very sturdy and affordable. Best valued economic solution for your practical need.



Posi-lock Locking Mechanism



Sturdy Foldable Legs



Posi-lock Feature to Prevent Tipping



Extendable Legs with Spring Loaded Extension



Non-slip Texture with Matte Finish



Steel Stand Direction Switchable



Steel Combat Stand or Rubberized Comfort Stand